



TURBO HAND DRYER 244

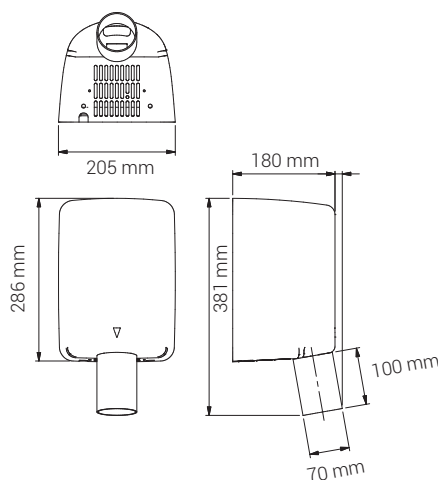
IR sensor
Powerful high-speed hand dryer
5-year warranty



TURBO is a small, fast and elegant hand dryer with commutator motor with motor carbon brushes. The fast dry time of only 10-15 seconds makes it a popular choice in many public areas.

Technical data

Type	TURBO HAND DRYER Prod. No.: 244 Touch-free warm-air hand dryer with IR sensor
Dimensions tap	H: 286 mm x B: 205 mm x D: 180 mm
Nozzle	L: 100 mm x Ø70 mm
Material	Brushed stainless steel
Drying cycle	10-15 sec.
Connection	230 V, 50/60 Hz, Class I
Total wattage	1600 W
Heating element	450-900 W
Motor	350-700 W
Noise level	78 dBA
Max. air volume	2,20 m ³ /min.
Max. air capacity	75-100 m/sek.
Max. air outlet temperature	60° C
Net weight	5,7 kg
IP rating	IP31
Tender text	Touch-free hand dryer with housing in brushed, stainless steel. Infra-red sensor and electronic timer, drying cycle: 10-15 sec., IP31, 230 V, 50/60 Hz, 1600 W, Class I (earthed). 78 dBA. Net weight 5.7 kg. H: 286 mm x B: 205 mm x D: 180 mm



Application

Article 244 with an extended nozzle is mainly installed as a build-in behind mirrors or a cabinet. The user visualizes easily where to direct hands for an efficient hand drying.

References

Offices and administration, shopping malls, restaurants, hotels, airports and public swimming pools, schools, public institutions and cultural centres.

Standard colour

Brushed stainless steel.

Motor type

Commutator motor with carbon brushes. 12,000-18,000 revolutions/min.

Activation

Adjustable infrared sensor and electronic timer. Touch-free. Activation distance 170 mm ± 20 mm. Automatic cut out after 120 seconds uninterrupted use.

Protection

Automatic thermal cut-out in both motor and heating element.

Installation

Recommended installation height above reflecting surfaces (sink, tabletop etc.): 300 mm measured from underside/sensor. Installation must be carried out by a qualified electrician.

Approval

